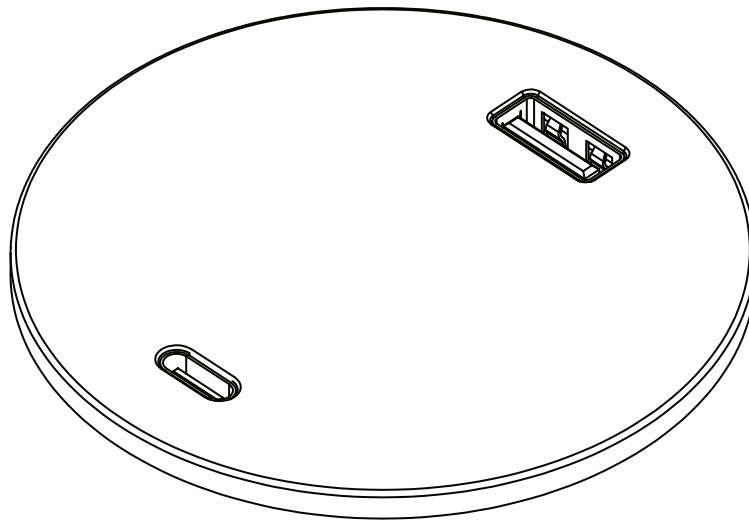


Product Number:
Black: EAP-BLK-QI
White: EAP-WHT-QI

Artplug[®]

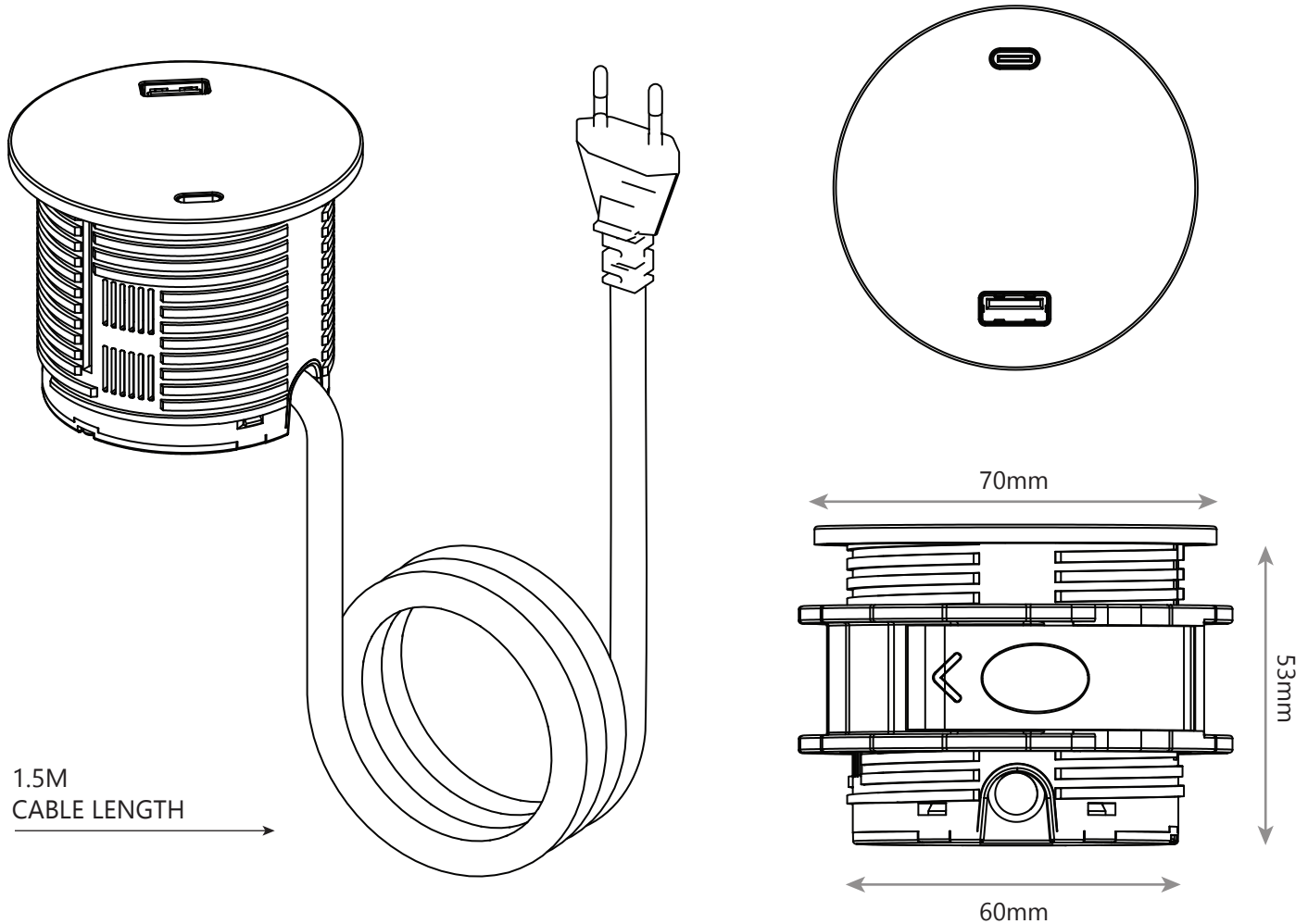
ArtplugQI



Product Number:
Black: EAP-BLK-QI
White: EAP-WHT-QI

Product: Artplug QI

Metal Arch



Technical data

INTERFACE	Wireless, USB-C & USB-A	MATERIAL	Polyamide
OUTPUT WIRELESS CHARGER	10W	PROTECTION CLASS	IP20
OUTPUT USB-C OR A	30W	INSTALLATION HOLE SIZE	Ø60mm
OUTPUT USB-C AND A	15W	DIAMETER TOP	Ø70mm
INPUT	100 - 240V~, 50/60Hz	MAX TABLE THICKNESS	40mm
CABLE	1.5m, Euro plug.	CERTIFICATION	CE, ROHS Compliant, Reach

Read before installation and usage



Do not cover
Electrical products may only be daisy-chained if integrated into a fixed installation. Normal power sockets may not be used for the connection to further socket rails.



Electronic equipment is recyclable and should not be disposed of with household waste, if the device has reached the end of its life, dispose of at the recycling points in accordance with local regulations. Disposal with household waste is prohibited.



The device may only be used in a dry indoor environment.



Incorrect installation may endanger:
- Safety of the installer
- Safety of the end-user and safety of the property.
Incorrect installation may result in personal liability for damage of property or injury to persons.

For safe installation please ensure the following:

- The 5 safety rules to apply: Disconnect mains; Prevent reconnection; Test for absence of harmful voltages; Ground and short circuits; Cover or close off nearby live parts;
- Choose proper tools, measuring devices and personal protective equipment
- Analyse measured results
- Selection of electrical installation material to ensure switch-off conditions
- IP protection ratings
- Fitting of electrical installation material;
- Type of the feeding system (TN system, IT system, TT system...) and the resulting switching conditions (classic zeroing, protective earthing, necessary additional measures, etc.).

GENERAL NOTES

Before installation, all measurements and conditions must be verified on site. Neither Details For You nor any of its distributors can be held liable for product malfunction or other defects as a result of improper installation.

GENERAL NOTES

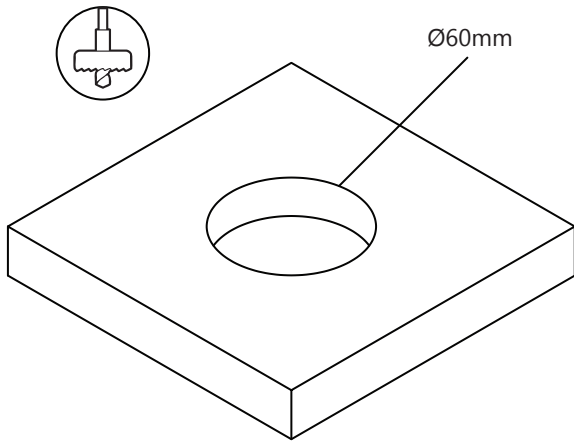
Avant l'installation, toutes les dimensions et conditions doivent être vérifiées sur place. Ni Details For You ni ses partenaires commerciaux ne peuvent être tenus responsables des défauts du produit ou d'autres défauts pouvant être attribués à une mauvaise installation.

GENERAL NOTES

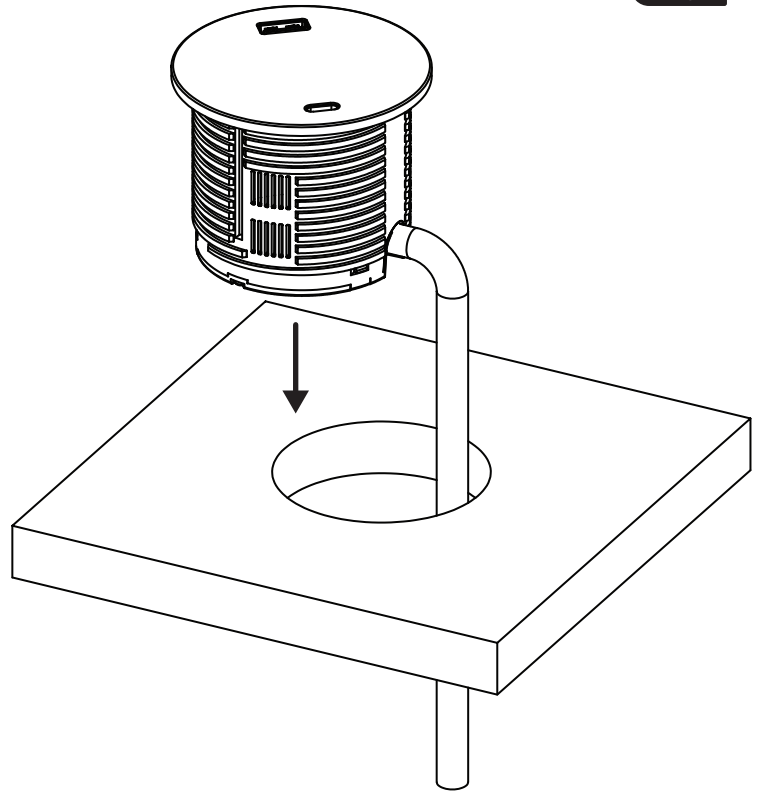
Vor dem Einbau sind alle Maße und Bedingungen bauseits zu prüfen. Weder Details For You noch seine Vertriebspartner können für Produktfehler oder sonstige Mängel, die auf unsachgemäße Installation zurückzuführen sind, haftbar gemacht werden

Product Number:
Black: EAP-BLK-QI
White: EAP-WHT-QI

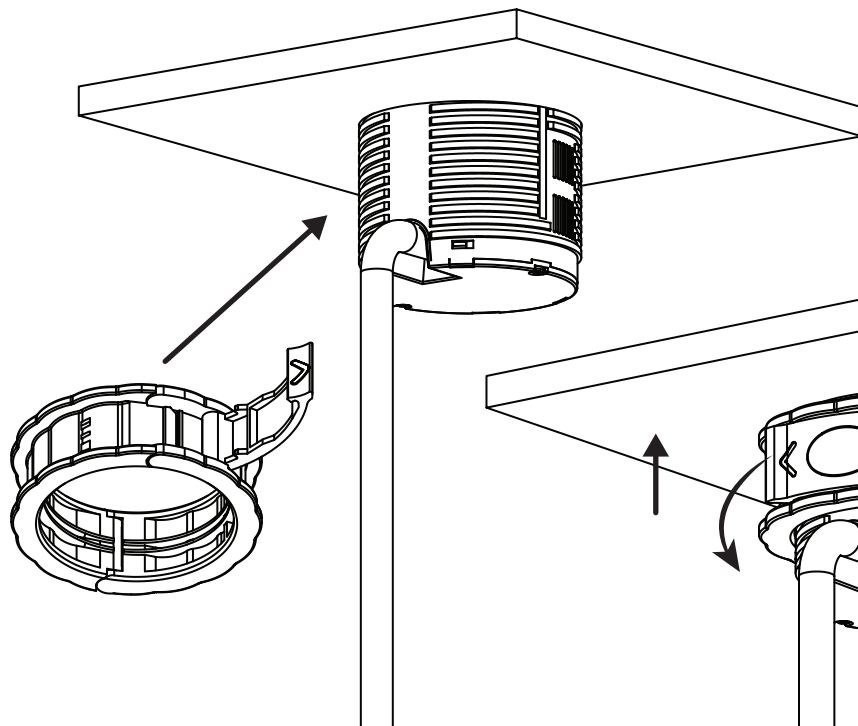
Step 1



Step 2



Step 3



Step 4

